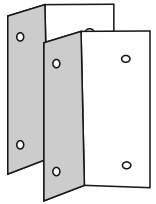
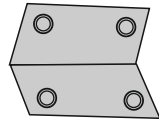


POINT CONTINENTAL LED

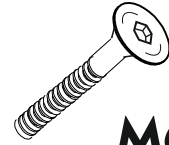
side board mounting instruction



x 2

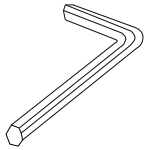


x 1

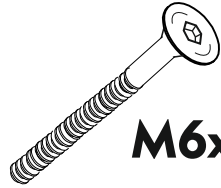


M6x16

x 4



x 1



M6x45

x 4



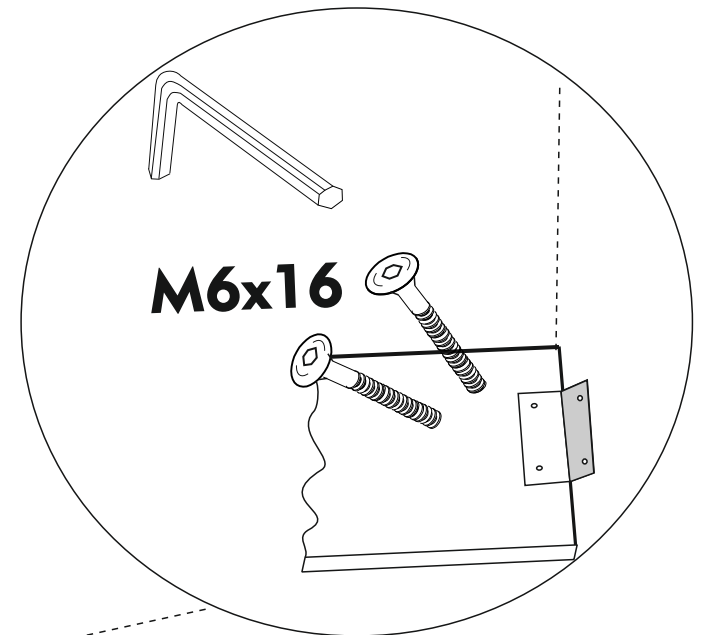
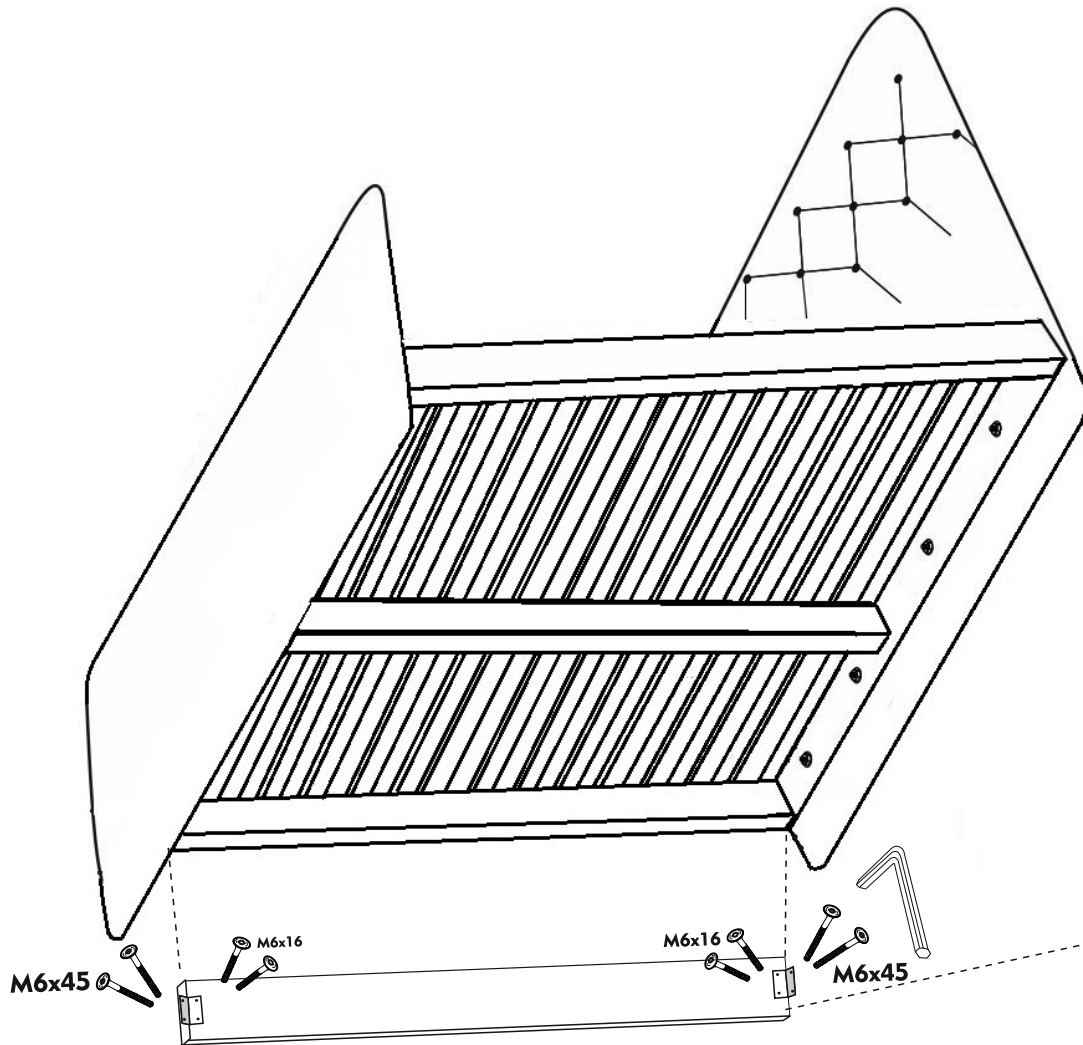
3,5x16

x 4

Side board x1



1 Assemble the side board to the frame

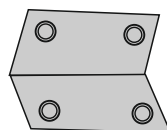


2

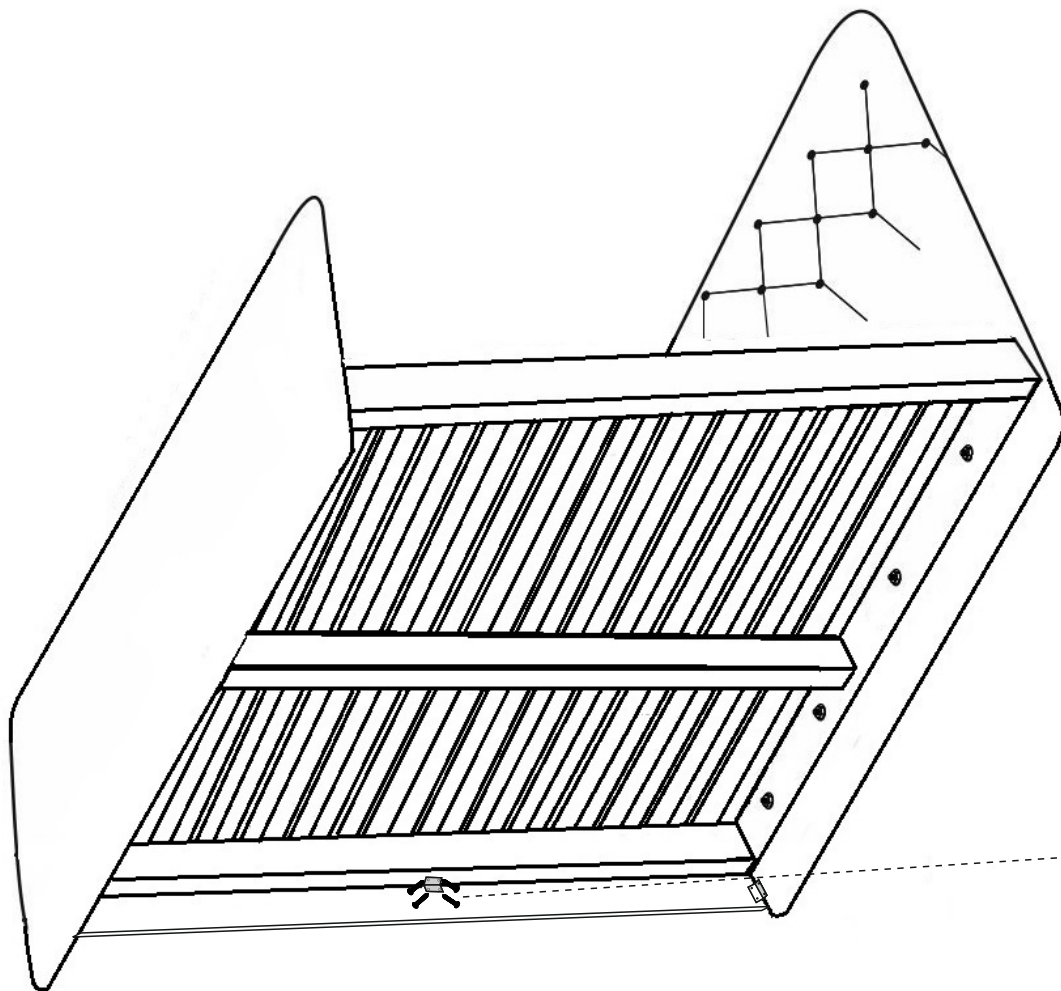


3,5x16

x 4



x 1



**Note. For the board to be stable ,
assemble it to the bedframe
with the corner plate and the wood screws.**

